



911403-00

33/3527A

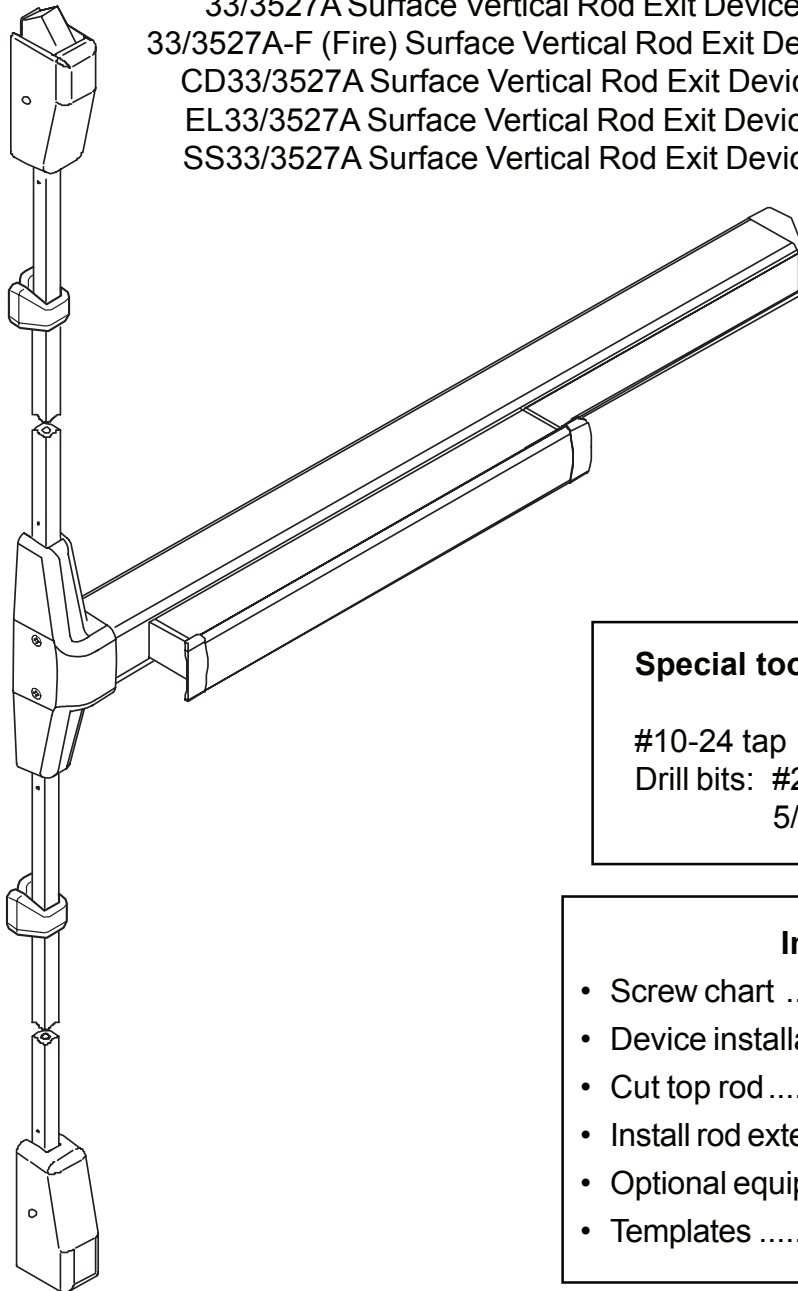
VON DUPRIN®

Surface Vertical Rod Exit Device

Installation Instructions

Devices covered by these instructions:

- 33/3527A Surface Vertical Rod Exit Device
- 33/3527A-F (Fire) Surface Vertical Rod Exit Device
- CD33/3527A Surface Vertical Rod Exit Device
- EL33/3527A Surface Vertical Rod Exit Device
- SS33/3527A Surface Vertical Rod Exit Device



Special tools needed:

- #10-24 tap
- Drill bits: #25, 1/8", 1/4",
5/16", 13/32"

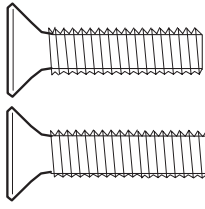
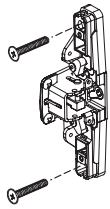
Index:

- Screw chart 2
- Device installation 3-6
- Cut top rod 7
- Install rod extension 7
- Optional equipment 8
- Templates 9-14

Please give these instructions to building owner after device is installed

SCREW CHART

A



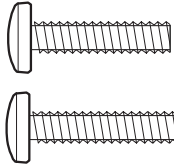
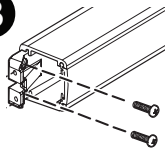
1/4-20 x 1"

Trim mount or sex bolts:
(1-3/4" door)

1/4-20 x 1-1/2"

(2-1/4" door)

B



#10-24 X 3/4"

Surface mount or
Sex bolts (1-3/4" door)

#10-24 X 1-1/8"

Sex bolts (2-1/4" door)

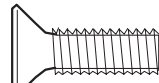
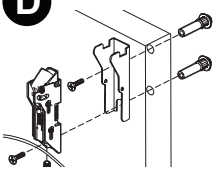
C



#10-16 X 3/8" Thread cutting

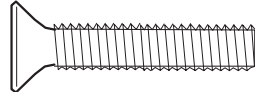
End cap

D



1/4-20 X 3/4"

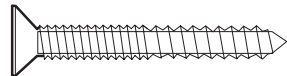
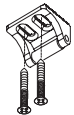
1-3/4" door



1/4-20 X 1-1/4"

2-1/4" door

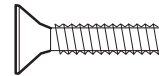
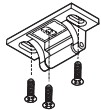
E



#10-12 x 10-24 x 1-1/4" combination

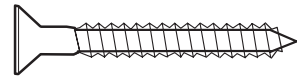
Metal or wood frame

F



#10-24 X 3/4"

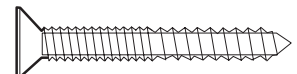
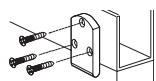
Metal frame



#10-24 X 1-1/4" wood screw

Wood frame

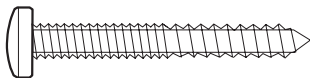
G



#10-12 x 10-24 x 1-1/4" combination

Metal or wood frame

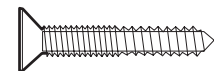
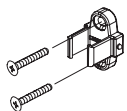
H



#10-12 x 10-24 x 1-1/4" combination

Variable floor surfaces

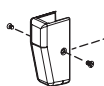
I



#8-16 x 8-32 x 1" combination

Metal or wood door

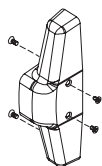
J



#8-32 X 1/4"

Latch covers

K

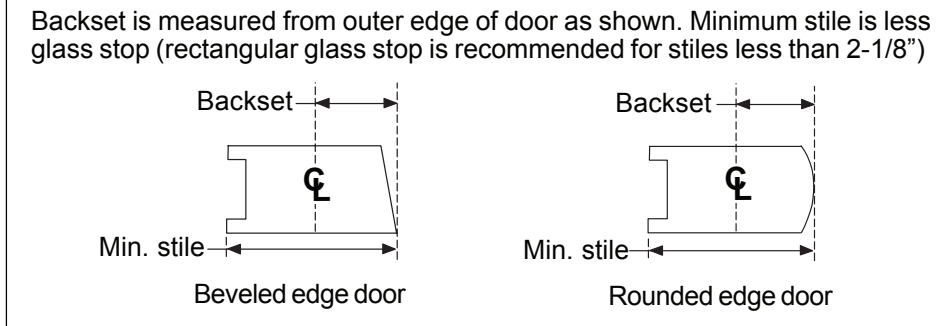
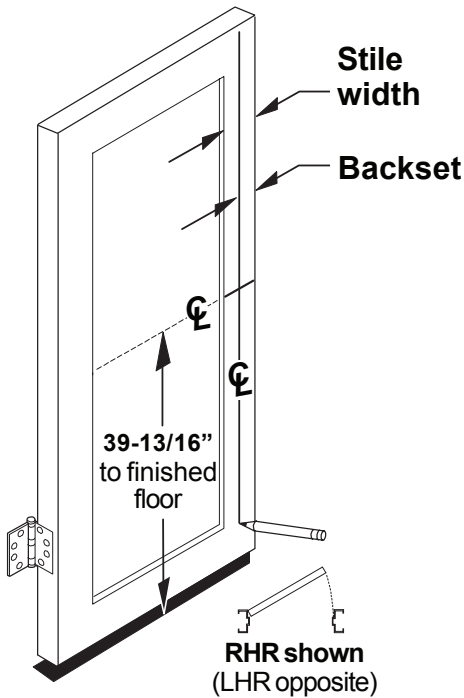


#8-18 x 3/8" thread cutting

Center case cover

1

Figure backset and draw device center lines (☉) on door as shown.



Backset	Min. stile	Application
1-3/16"	2" - 2-3/4"	Two vertical rod devices
1-1/2"	2-3/4" - 3-3/4"	
1-7/8"	3-3/4" - 5"	
2-1/2"	5" to flush	
1-11/32"	2" - 2-3/4"	Single door
1-1/2"	2-3/4" - 3-3/4"	
1-7/8"	3-3/4" - 5"	
2-1/2"	5" to flush	
2-7/32"	3" min.	Vertical rod and rim device

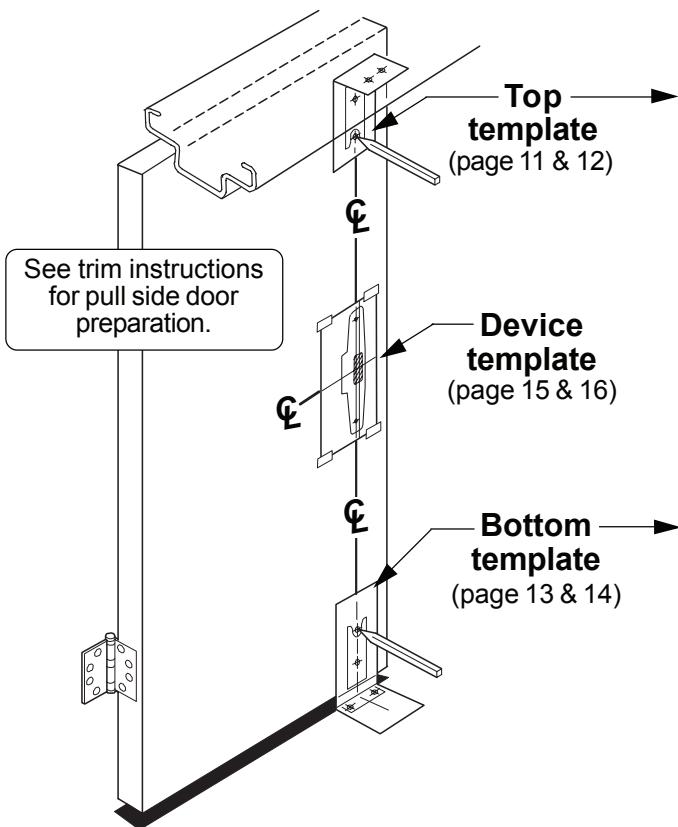
Note: For 299/299F top strike use minimum backsets shown below.

Double doors: 1-3/8" min. backset
2-3/16" min. stile

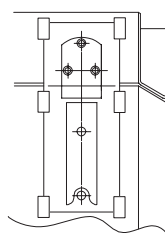
Single door: 1-7/8" min. backset
2-11/16" min. stile

2

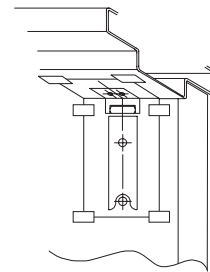
Tape templates to door and prepare door and frame per templates.



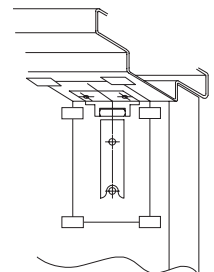
260U strike



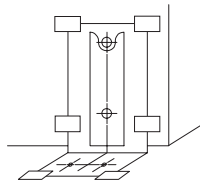
265 strike



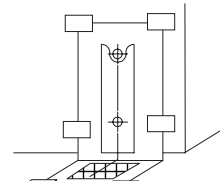
*299/299F strike



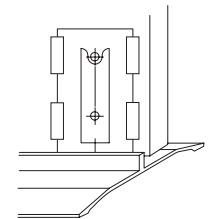
248L-4 strike



304L strike



Latch track



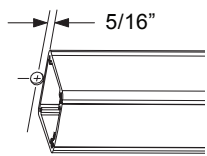
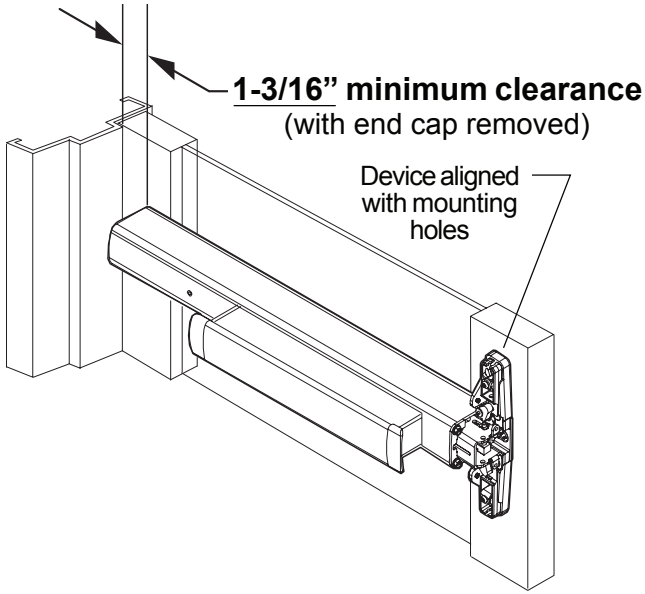
*For 299/299F top strike use minimum backsets shown below.

Double doors: 1-3/8" min. backset, 2-3/16" min. stile

Single door: 1-7/8" min. backset, 2-11/16" min. stile

3

Measure to determine length to cut device.



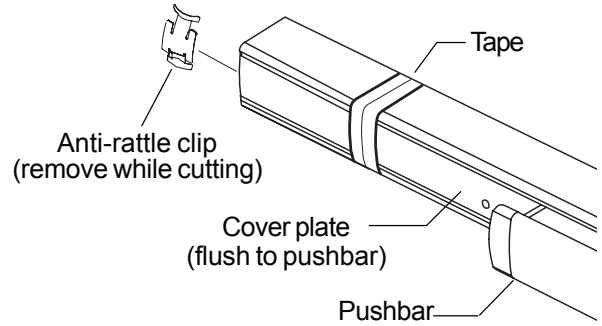
Note

If 5/8" diameter wire access hole has been predrilled in door, cut device 5/16" from center of hole.

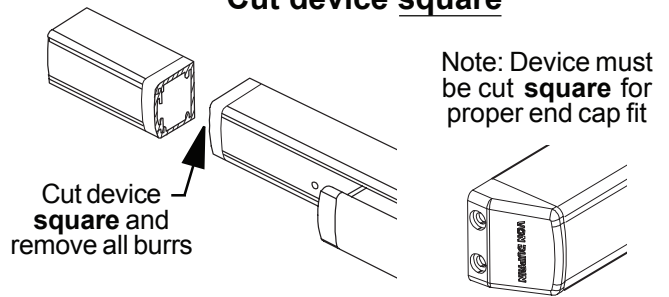
4

Cut device to length.

Prepare device for cutting

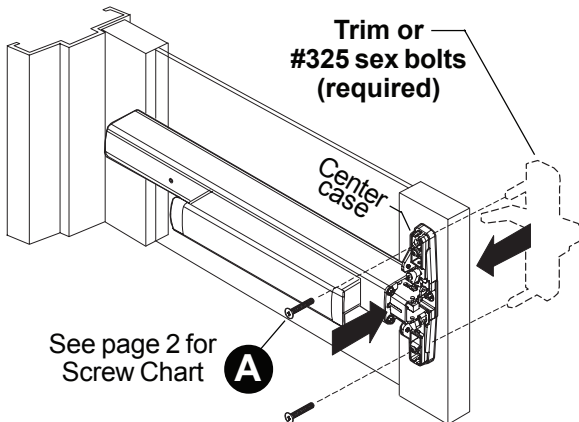
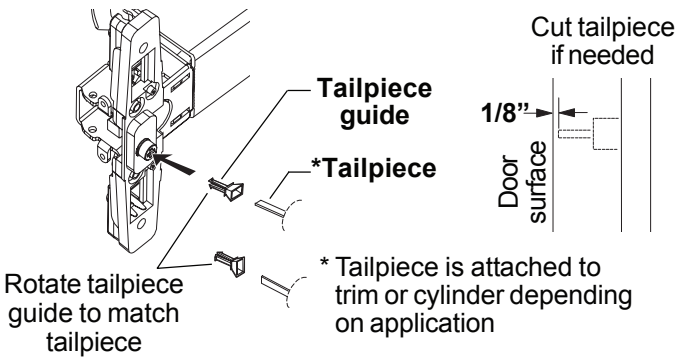


Cut device square



5

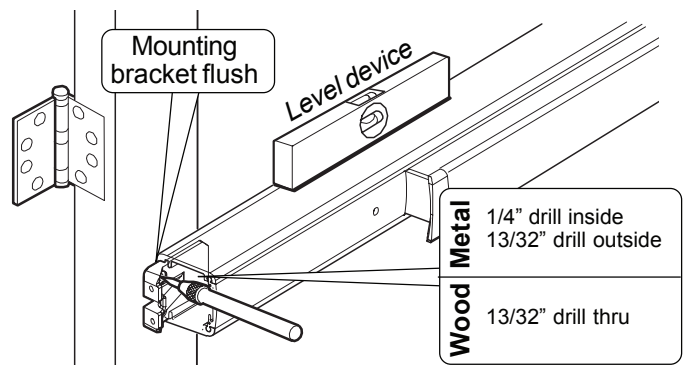
Install tailpiece guide and trim (or sex bolts) and secure device center case to door.



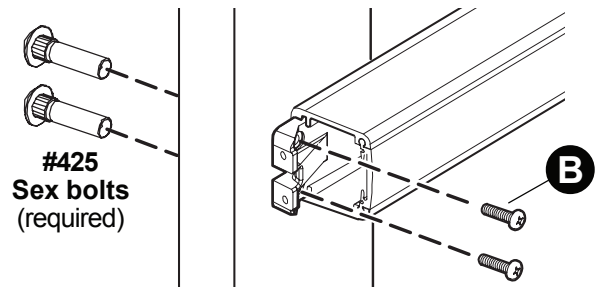
6

Install hinge stile mounting bracket.

Mark and prepare 2 mounting holes

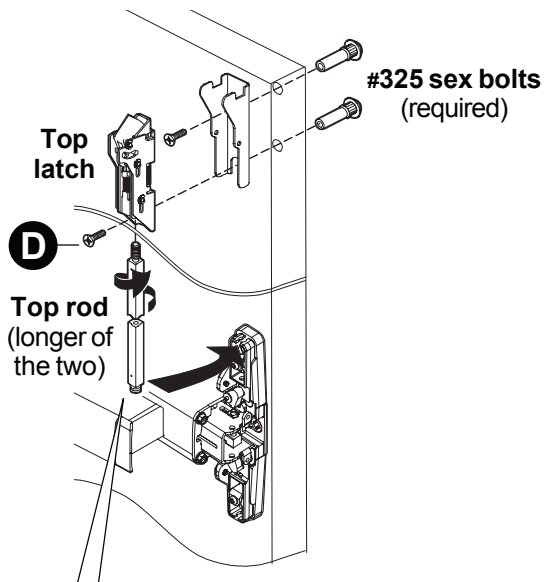


Secure mounting bracket



7

Install top latch and rod.



If top rod is too long, see "Cut top rod" on page 7

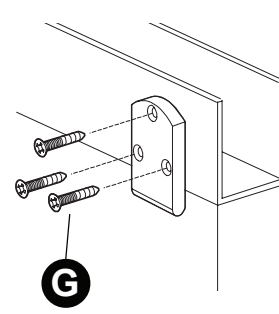
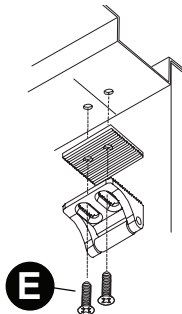
If top rod is too short, see "Install rod extension" on page 7

8

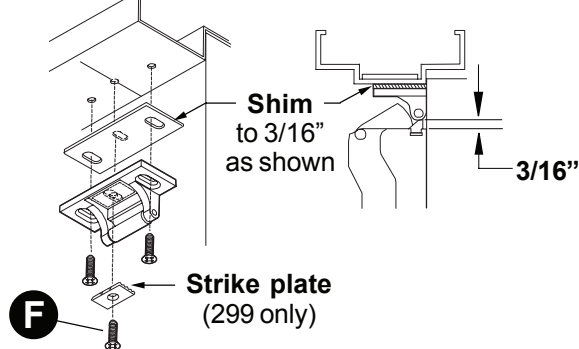
Install top strike.

265 strike
For panic device application only

260U strike
For panic device application only



299/299F strike



9

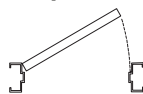
Adjust top rod until latch bolt acts as shown.

Adjust rod by threading rod into latch clockwise to shorten, or counterclockwise to lengthen.

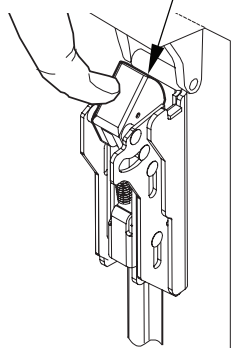
With door closed:



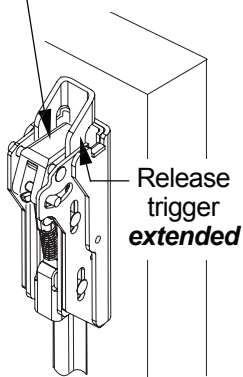
With door open:



Latch bolt **deadlocked**
(will not push in)



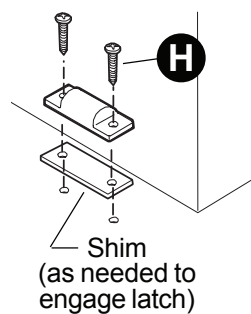
Latch bolt stays **retracted**



10

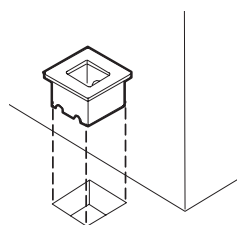
Install bottom strike, latch, and rod.

248L-4 strike



Use 248L-4 strike for panic device application only. Use 304L for fire doors

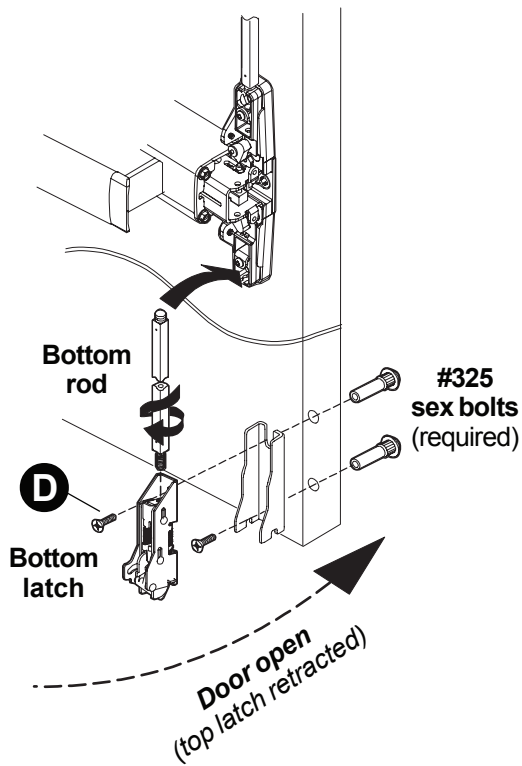
304L strike



Grout strike into floor

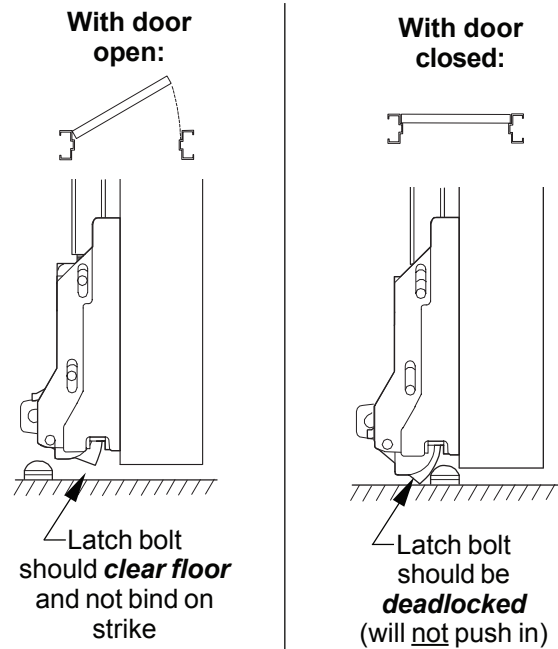
11

Install bottom rod.



12

Adjust bottom rod with door open (top latch retracted).

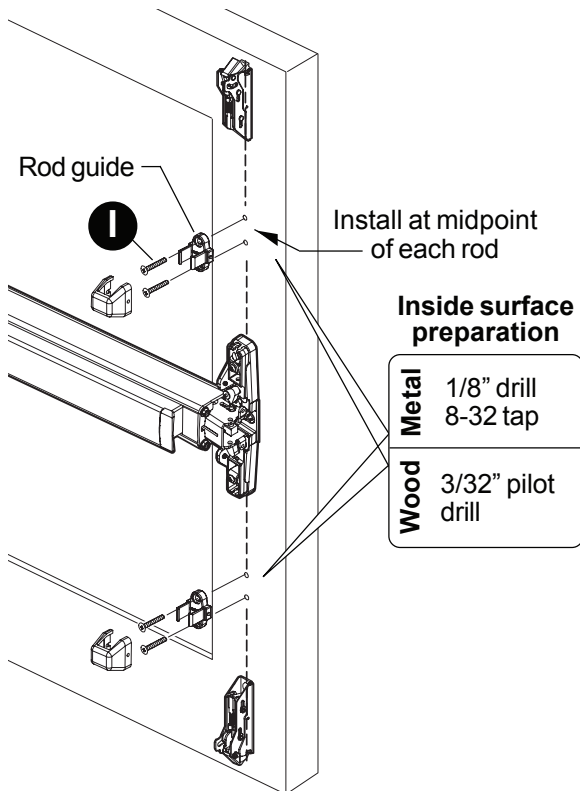


Open and close door a few times and check for deadlocking when door is closed

Readjust rods if needed

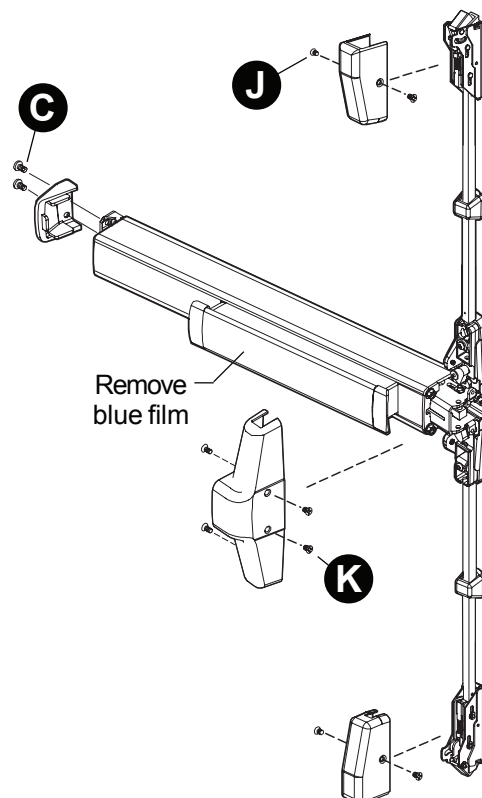
13

Install rod guides.



14

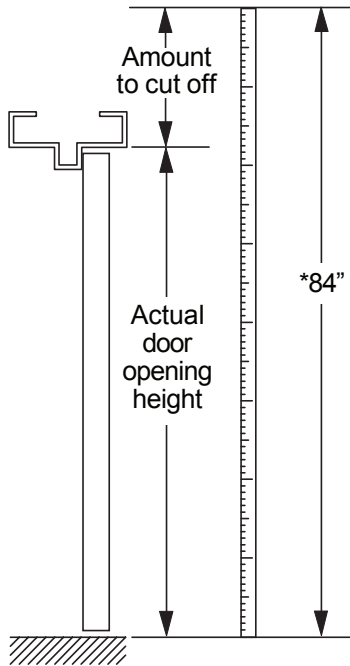
Install covers and end cap.



CUT TOP ROD

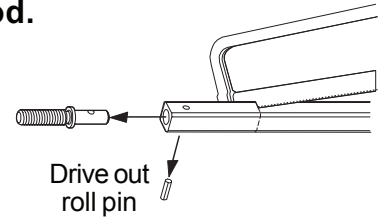
1. Measure amount to cut off rod as shown below.

Note: Rod cutting is required for doors shorter than 7'.



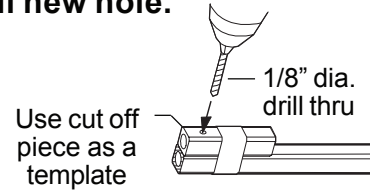
*Rods are factory sized for 7' (84") door. Measure actual door height and subtract that number from 84" to get amount to cut off top rod.

2. Cut rod.



Drive out roll pin

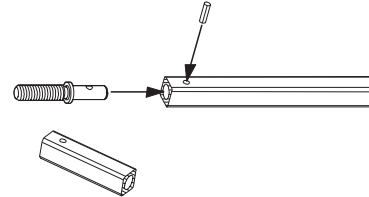
3. Drill new hole.



Use cut off piece as a template

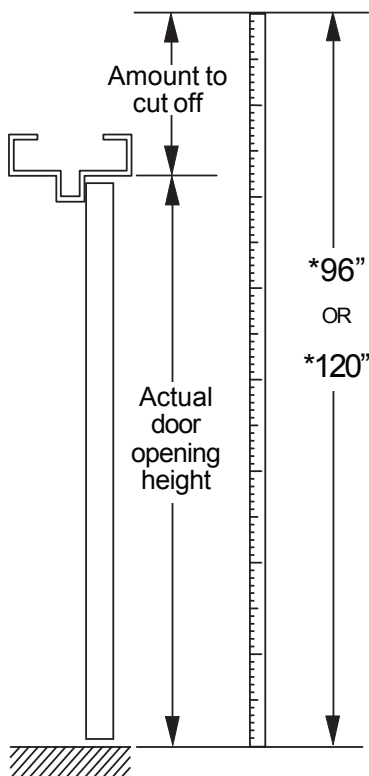
1/8" dia. drill thru

4. Reinstall rod end and roll pin.



INSTALL ROD EXTENSION

1. Measure door opening to determine amount to cut off rod extension.

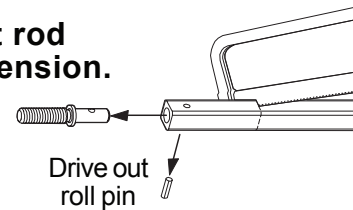


*Standard door heights:

With no extension	7' (84")
With 1' extension	8' (96")
With 3' extension	10' (120")

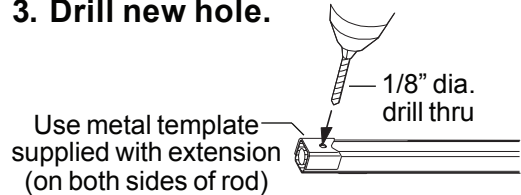
*Rods are factory sized for door heights shown above. Measure actual door height and subtract that number from 96" (for 1' extension) or 120" (for 3' extension) to get amount to cut off extension.

2. Cut rod extension.



Drive out roll pin

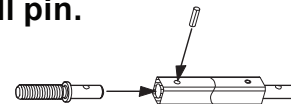
3. Drill new hole.



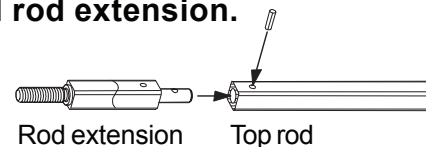
Use metal template supplied with extension (on both sides of rod)

1/8" dia. drill thru

4. Reinstall rod end and roll pin.



5. Connect top rod and rod extension.



Rod extension Top rod

OPTIONAL EQUIPMENT

CD (CYLINDER DOGGING)

1. Remove mortise cylinder cam and reinstall in reverse (Figure 1).
2. Insert key and rotate cam to install the cylinder to the cover plate (Figure 2).
3. Remove key to slide cover plate in position in the mechanism case.

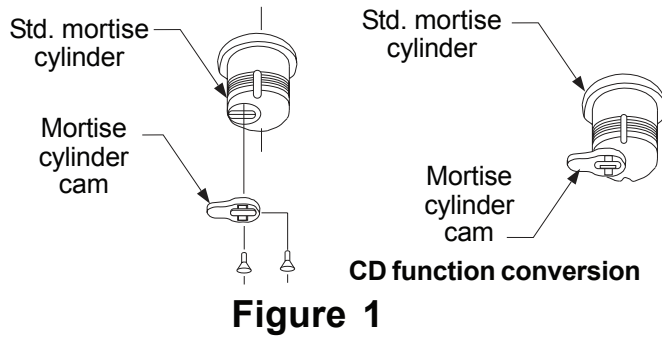


Figure 1

Dogging procedure

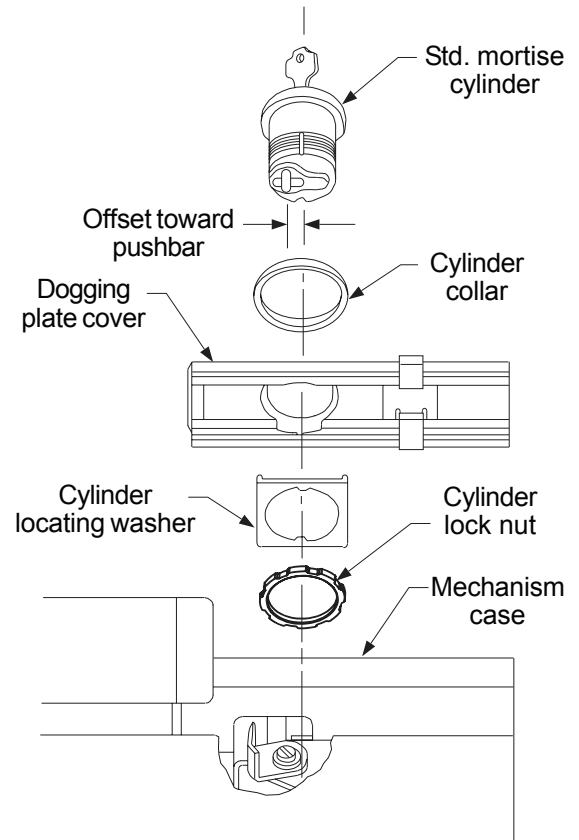
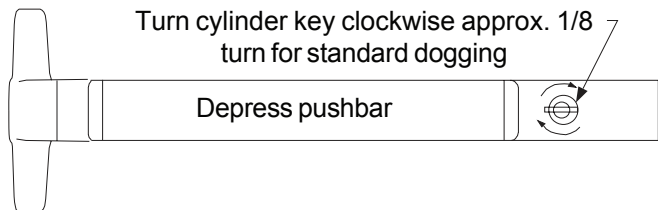
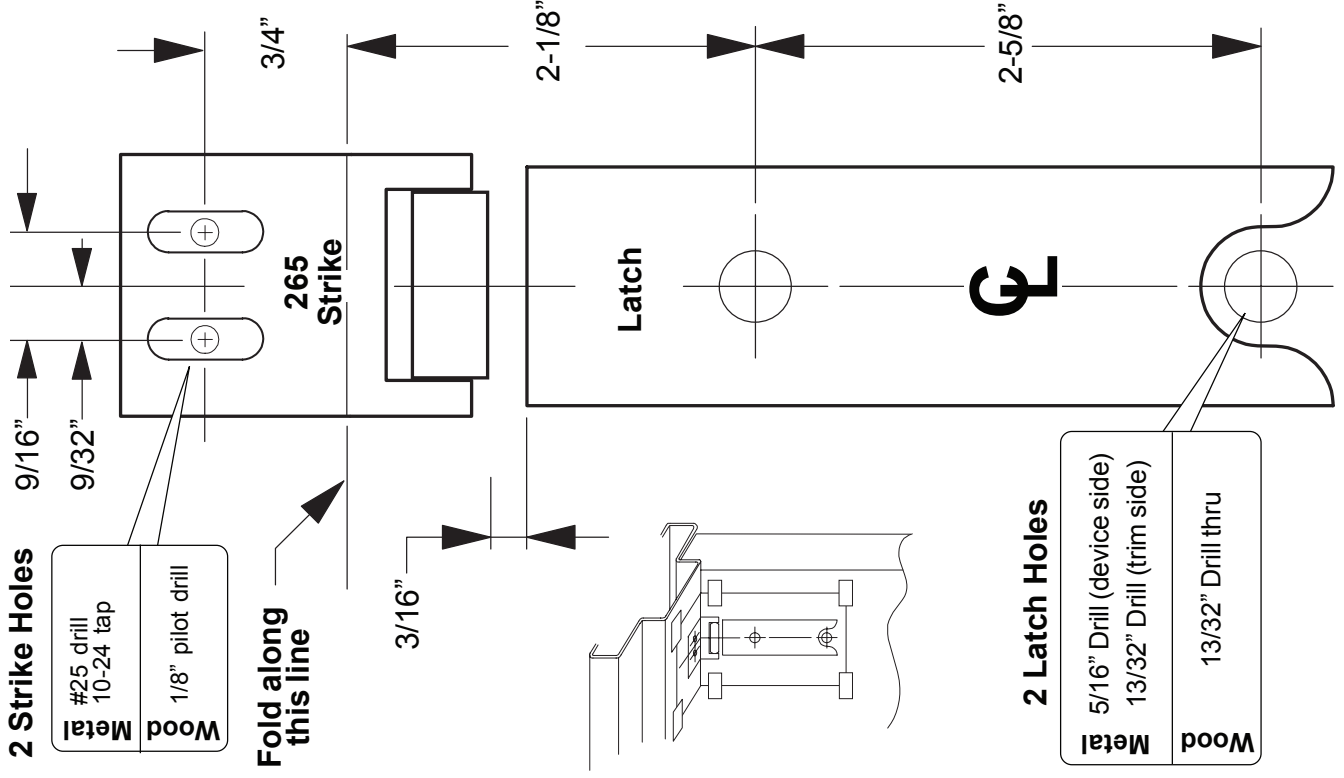


Figure 2

TOP TEMPLATE

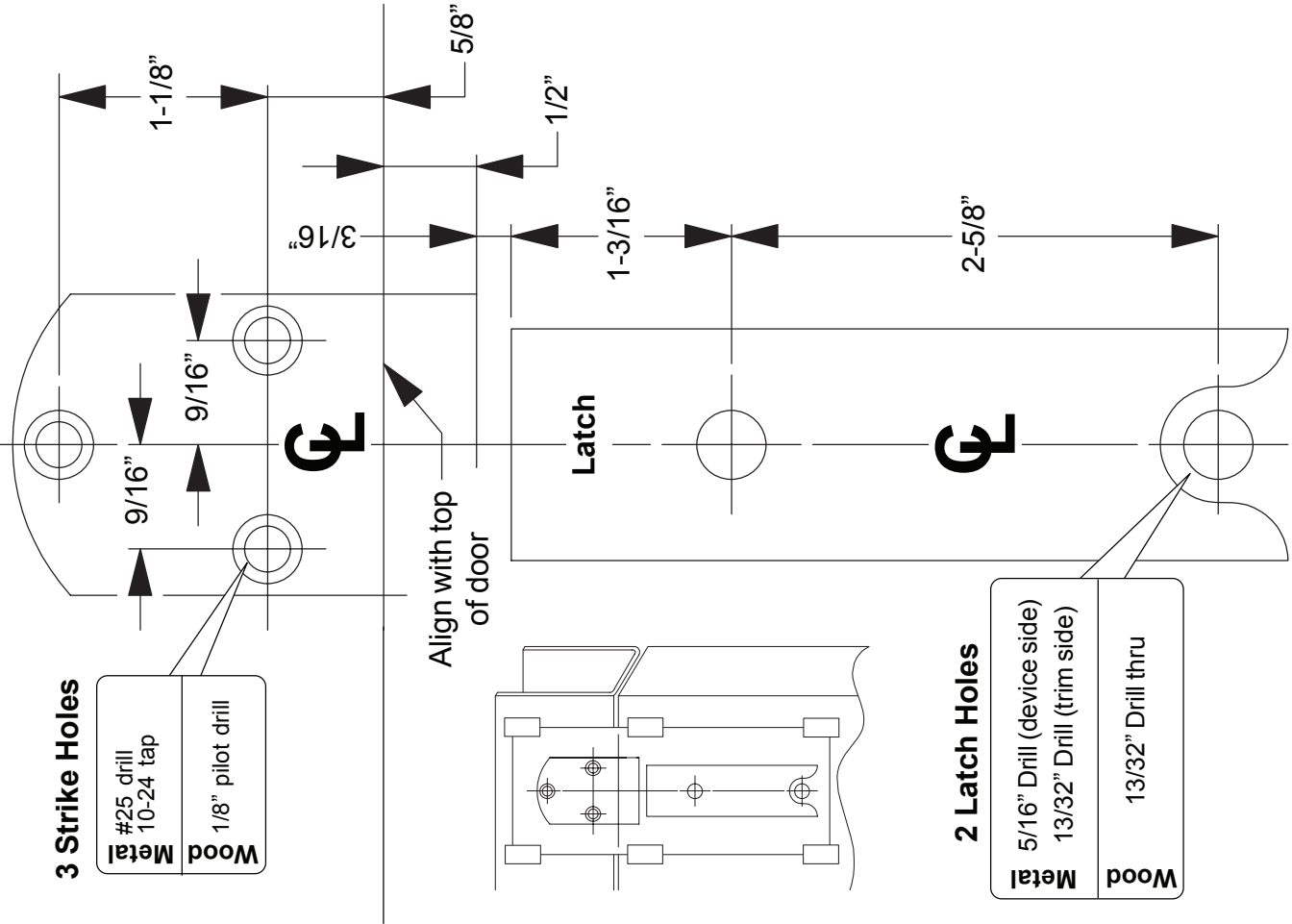
TOP LATCH & 265 STRIKE

For panic device application only



TOP LATCH AND 260U STRIKE

For panic device application only



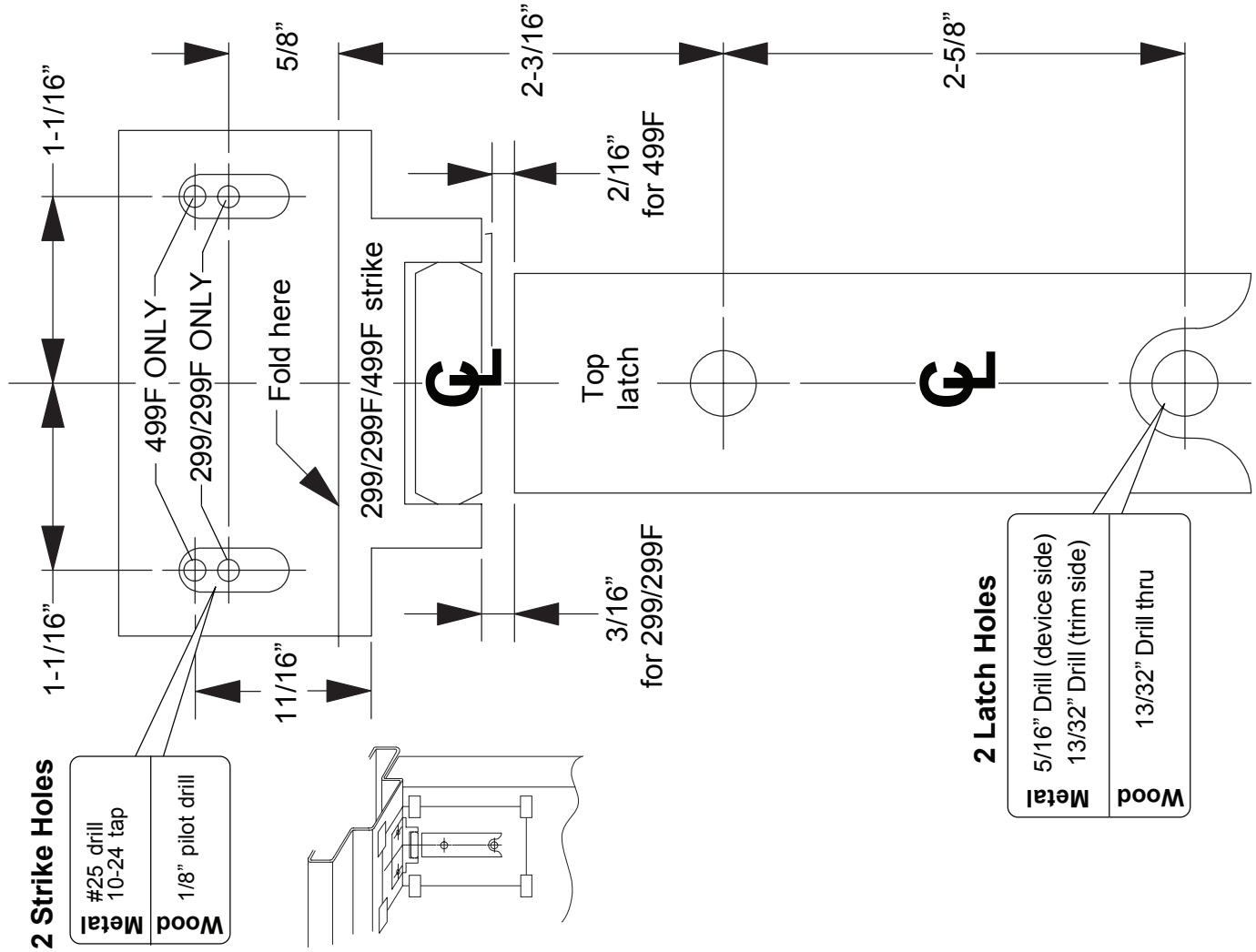
TOP TEMPLATE - CONTINUED

Note: For 299/299F top strike use minimum backsets shown below.

Double doors: 1-3/8" min. backset, 2-3/16" min. stile

Single door: 1-7/8" min. backset, 2-11/16" min. stile

TOP LATCH & 299/299F/499F STRIKE



2 Strike Holes

Wood	1/8" pilot drill
Metal	#25 drill 10-24 tap

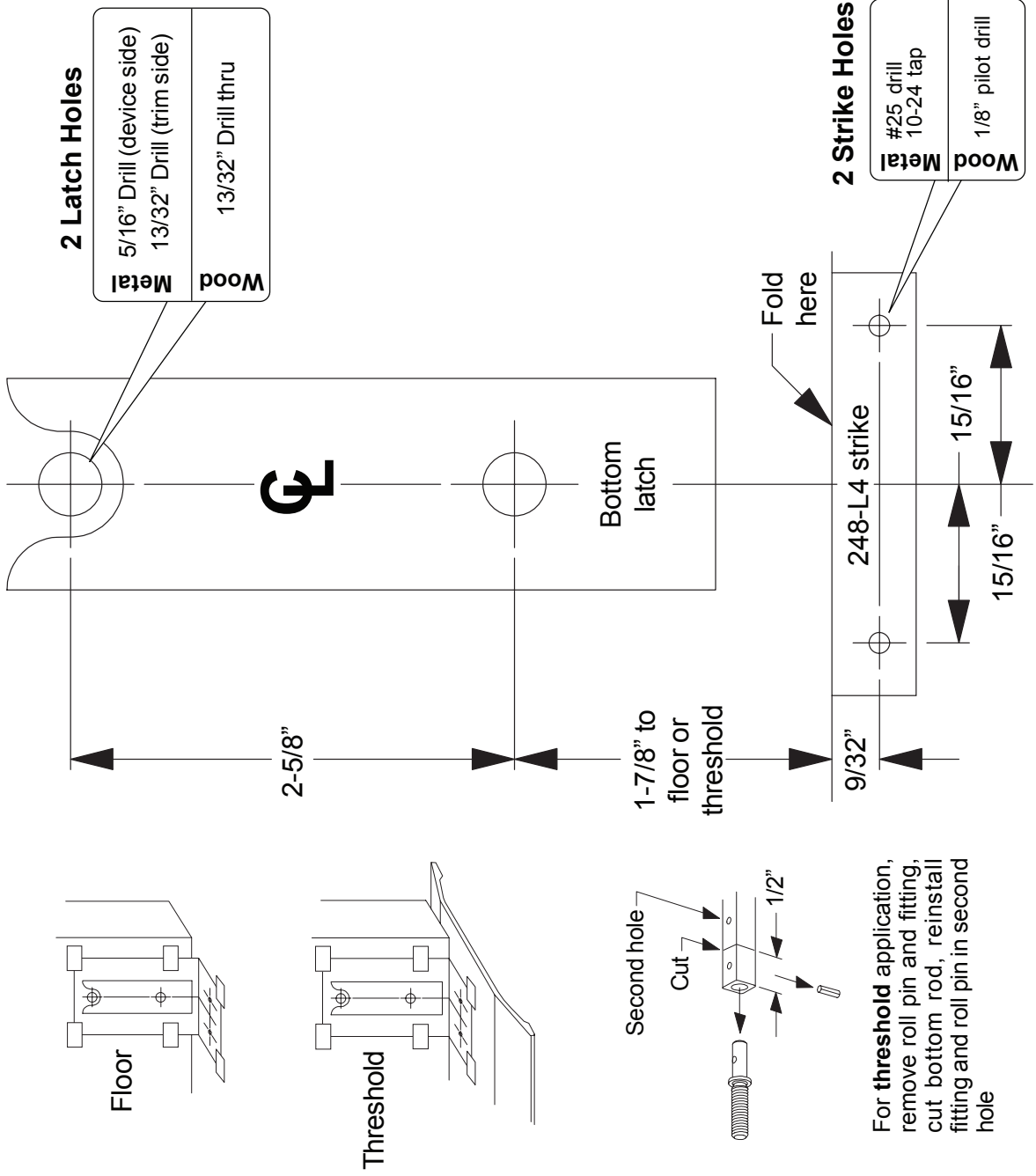
2 Latch Holes

Wood	13/32" Drill thru
Metal	5/16" Drill (device side) 13/32" Drill (trim side)

BOTTOM TEMPLATE

BOTTOM LATCH AND 248-L4 STRIKE

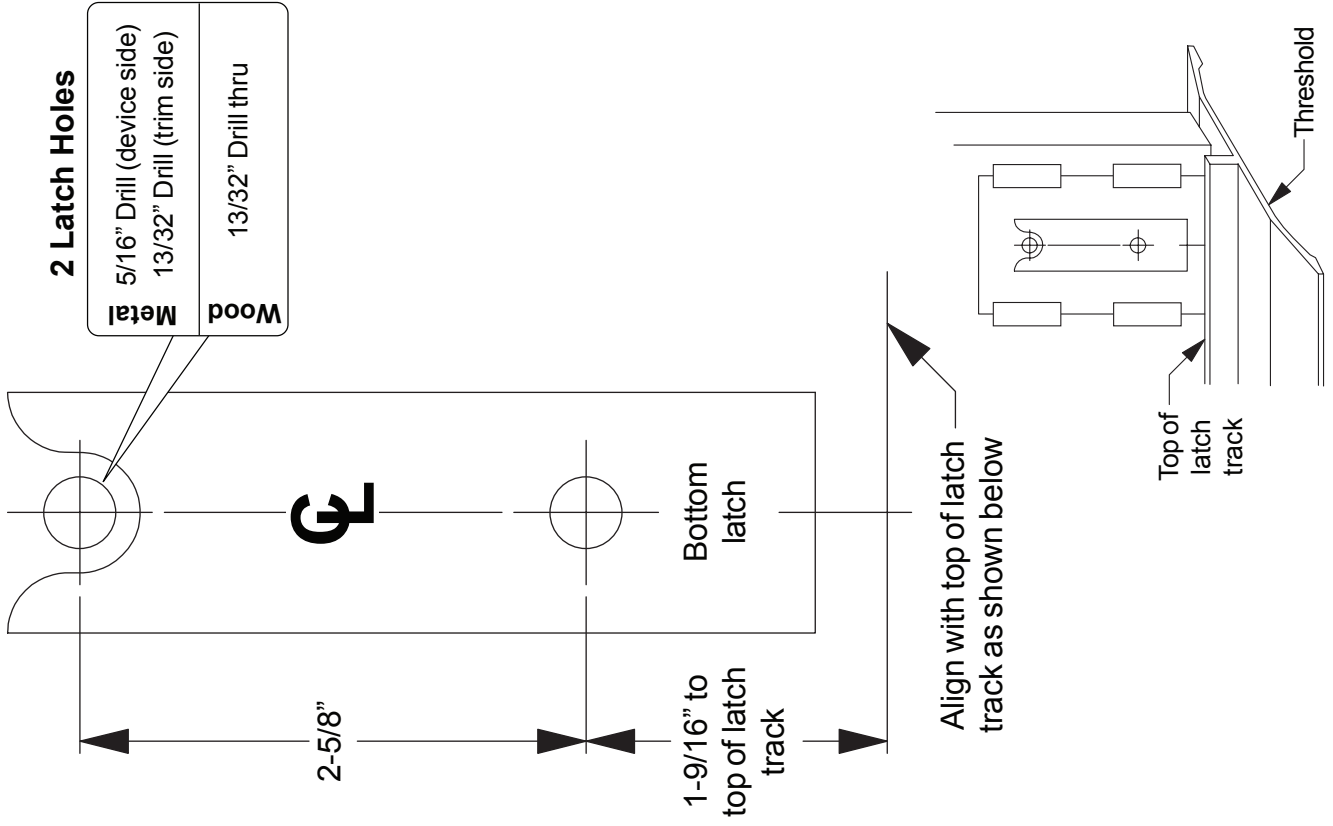
For panic device application only



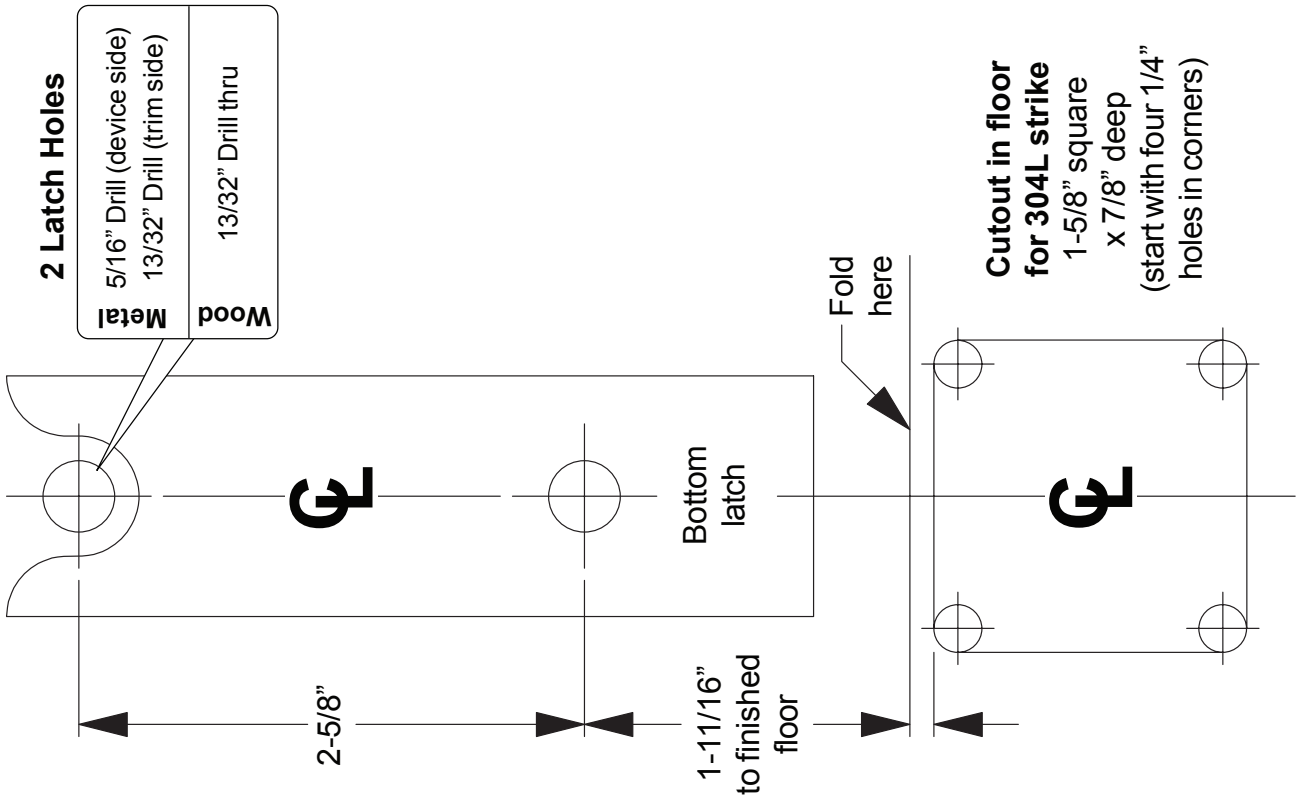
For threshold application, remove roll pin and fitting, cut bottom rod, reinstall fitting and roll pin in second hole

BOTTOM TEMPLATE - CONTINUED

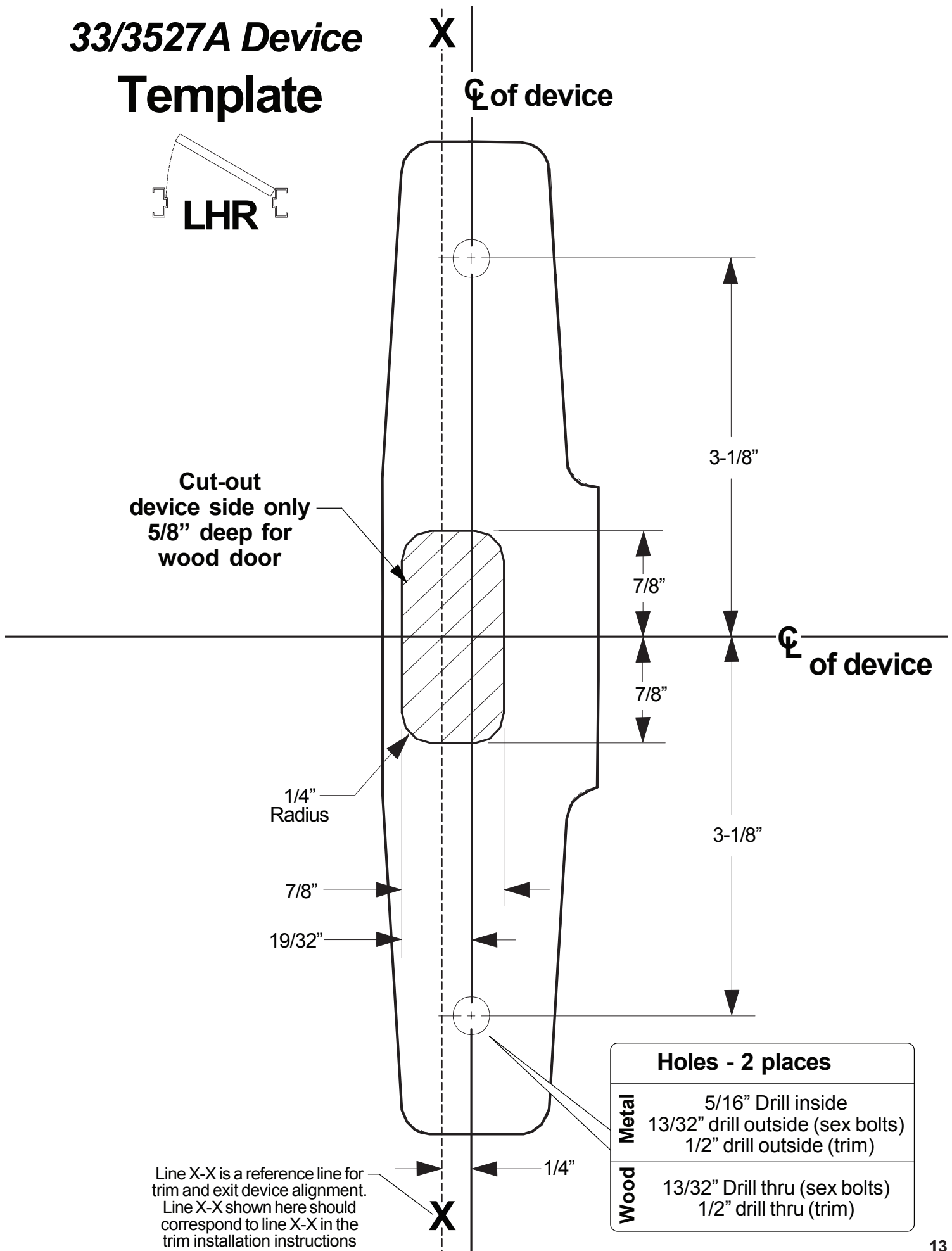
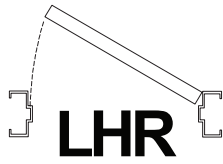
BOTTOM LATCH AND LATCH TRACK



BOTTOM LATCH AND 304L STRIKE



33/3527A Device Template



Cut-out device side only
5/8" deep for wood door

1/4" Radius

7/8"

19/32"

3-1/8"

7/8"

7/8"

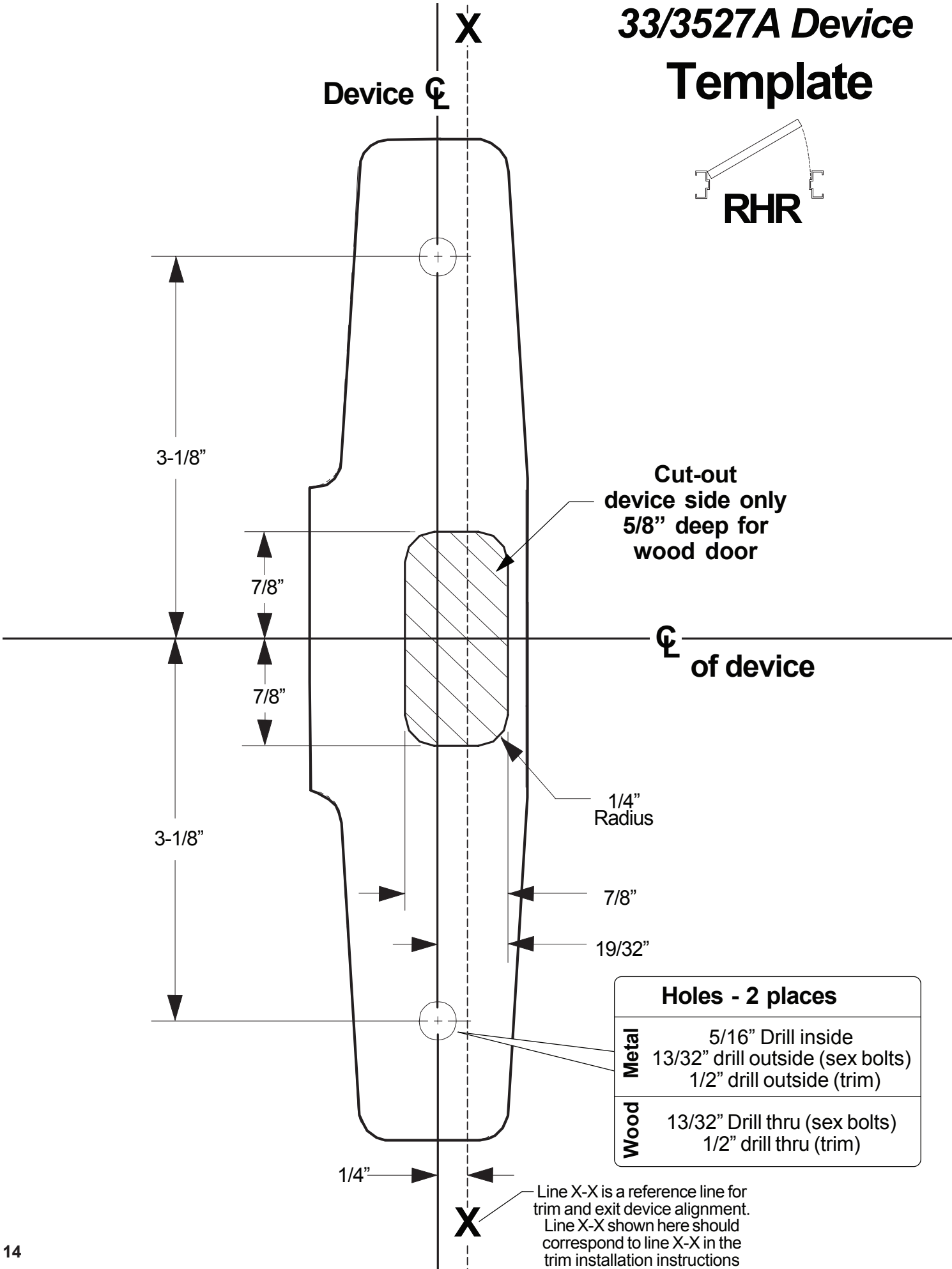
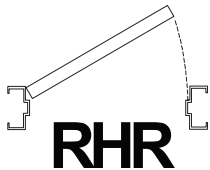
3-1/8"

1/4"

Line X-X is a reference line for trim and exit device alignment. Line X-X shown here should correspond to line X-X in the trim installation instructions

Holes - 2 places	
Metal	5/16" Drill inside 13/32" drill outside (sex bolts) 1/2" drill outside (trim)
Wood	13/32" Drill thru (sex bolts) 1/2" drill thru (trim)

33/3527A Device Template



Holes - 2 places	
Metal	5/16" Drill inside 13/32" drill outside (sex bolts) 1/2" drill outside (trim)
Wood	13/32" Drill thru (sex bolts) 1/2" drill thru (trim)

Customer Service

1-877-671-7011 www.allegion.com/us



© Allegion 2014
Printed in U.S.A.
911403-00 Rev. 01/14-c